

COTEK

2017

Switching Mode Power Supply Product Catalog



Company Introduction

Company Overview & Product Range

COTEK is committed to providing proactive service, innovative technology and total quality assurance since COTEK was established in 1986. With Corporate Offices in Tao-yuan, Taiwan, COTEK is a technology-oriented company focusing on developing, designing and manufacturing products including:

- AC / DC Switching Mode Power Supply – 20 Watts~3,000 Watts
- DC / AC Pure Sine Wave inverter – 150 Watts~4,000 Watts
- Inverter / Charger
- Battery Charger



Why COTEK

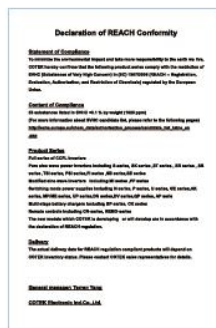
<p>One-stop shopping</p> <p>Diverse power product lines that fulfill our business partners' power requirement across multiple sectors (AC/DC, DC/AC, Chargers)</p>	<p>World-Class R&D Team</p> <p>30 years' software & hardware development capability</p>	<p>Product Safety Approvals</p> <p>Meet the global latest safety standards</p>
<p>Flexibility</p> <p>To provide off-the-shelf and customized design service</p>	<p>Prompt Service</p> <p>Authorized distributor partners in over 38 countries to ensure local services in the same time zone</p>	<p>Production Experience</p> <p>Sold more than 20 million pcs to the worldwide market</p>

Environment Friendly

COTEK takes the responsibility to minimize the environmental impact by applying green production, complying with RoHS and REACH legislation. We are also approved to meet environmental management standards, ex. ISO 9001:2015 quality standards.



RoHS Conformity



REACH Conformity

Contact Us

COTEK Headquarter, Taiwan

No. 33, Sec. 2, Renhe Rd., Daxi Dist., Taoyuan City 33548, Taiwan

+886 3-389-1999 +886 3-380-2333

<http://www.cotek.com.tw/>

COTEK Factory, Dongguan China

Building No.121, No.13, Xinan Rd., Xintaiyang Industrial Park, Lincun Village, Tangxia Township, Dongguan City, Guangdong Province, China

+86 769-81282695 +86 769-81282615

COTEK AEW Series

Water Cooling Power Supply

Unique Features



- Fanless design, water cooling
- High up to 3000W output power
- Programmable output voltage & current 0~105%
- Small size, high power density
- Max. 8 units in parallel (up to 24KW output)
- RS-232 / I²C control



Features

- Universal AC input / Full range
- Programmable output voltage (0%~105%)
- Programmable output current (0%~105%)
- Constant current limit
- Selectable +5V / 0.5A or +9V / 0.3A auxiliary output
- Global control via RS-232
- Remote setting multiple via RS-232, RS-485 & I²C
- Power OK signal
- Remote ON / OFF function
- Protection: OVP, OLP, OTP, SCP

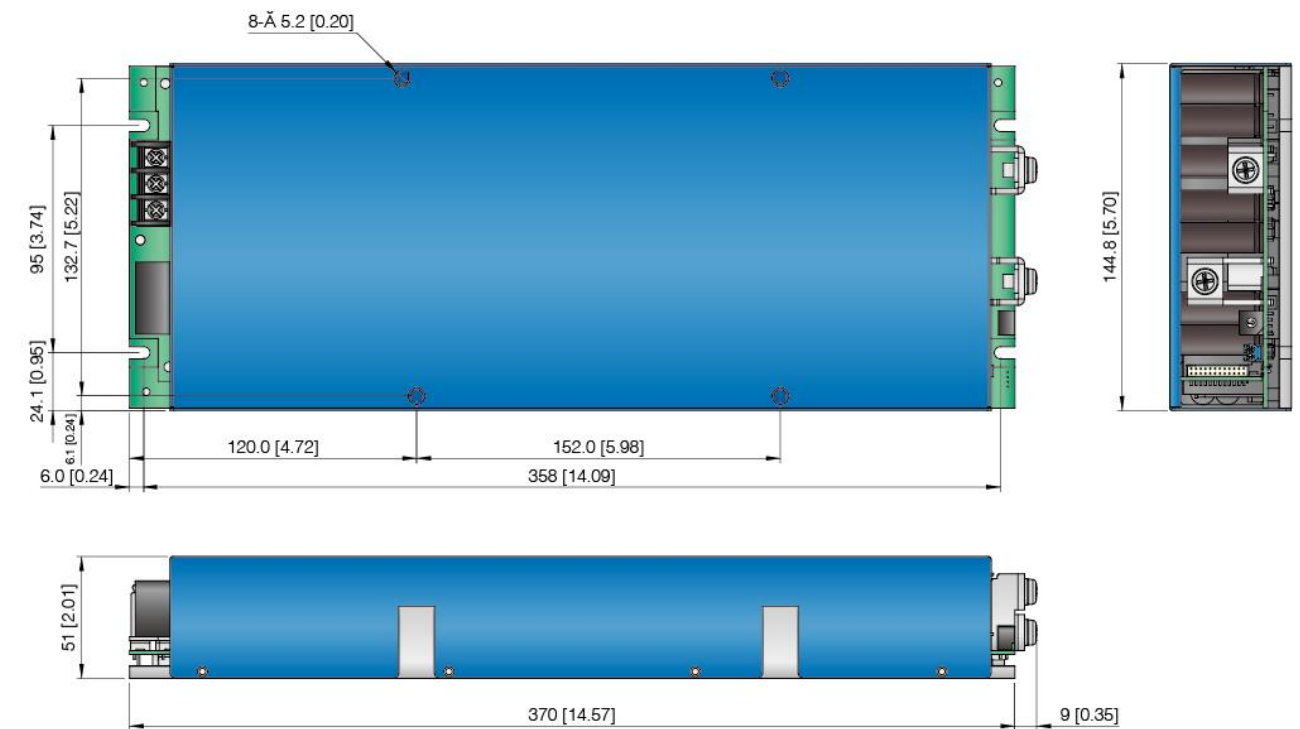


MODEL	AEW-3000-48	
Output	Voltage Range	48V
	Rated Current	62.5A
	Current Range	0 ~ 62.5A
	Rated Power	3000W
	Ripple & Noise (Max.) <small>Note 2.</small>	500mVp-p
	Voltage Adj. Range	±5.0% Typical adjustment by potentiometer. (VR1)
	Voltage Tolerance <small>Note 3.</small>	± 2.0%
	Line Regulation	± 1.0%
	Load Regulation	± 1.0%
	Setup, Rise Time	800ms, 50ms at 230VAC full load
	Hold Up Time (Typ.)	10ms / 230VAC at full load
Input	Voltage Range <small>Note 4.</small>	90 ~ 264VAC, 127 ~ 370VDC (Refer to de-rating curve)
	Frequency Range	47 ~ 63Hz
	Power Factor (Typ.)	0.95 / 230VAC, 0.98 / 115VAC at full load
	Efficiency (Typ.)	90% at 230VAC full load
	AC Current (Typ.)	18.2A / 115VAC (1800W), 15.3A / 230VAC (3000W)
	Inrush Current (Typ.)	45A / 115VAC, 90A / 230VAC
Leakage Current	< 1.0mA / 240VAC	
Protection	Over Load	105% rated output power. Protection type: Constant current limit
	Over Voltage	Variable OVP, 120 ± 7% Vout. Refer to VCI VS OVP curve. Protection type: Latch-style (Recovery after reset AC power ON or inhibit)
	Over Temperature	85 ± 5°C detect on NTC, Protection type: Auto recovery after temperature goes down
Function	Auxiliary Power	Selectable +5V / 0.5A or +9V / 0.3A auxiliary output
	Remote ON/OFF Control	By external switch
	Power OK Signal	Open drain signal low when PSU turns on, Max. sink current: 20mA, Max. drain voltage: 40V.
	Output Voltage Trim	Adjustment of output voltage is between 0 ~ 105% of rated output
Output Current Trim	Adjustment of output current is between 0 ~ 105% of rated output	

MODEL	AEW-3000-48	
Environment	Working Temperature	-20°C ~ 60°C (Refer to de-rating curve)
	Working Humidity	20 ~ 90% RH non-condensing
	Storage Temperature & Humidity	-40°C ~ 85°C, 10 ~ 95% RH
	Temperature Coefficient	±0.02% / °C (0 ~ 50°C)
Safety & EMC	Withstand Voltage <small>Note 5.</small>	I/P-O/P: 3KVAC (4242VDC), I/P-FG: 1.5KVAC (2121VDC), O/P-FG: 0.5KVAC (707VDC)
	Isolation Resistance	I/P-O/P, I/P-FG, O/P-FG: 100M Ohms / 500VDC
Other	Cooling	Water-cool (Optional water-cool heat sink)
	Dimension (WxHxD)	145x51x370 mm
	Packing	3.1kg, 6pcs / 19.6kg / 4.8CUFT
Note	<ol style="list-style-type: none"> 1. All parameters NOT specially mentioned are measured at 230VAC input, rated load and 25°C of ambient temperature. 2. Ripple & Noise are measured at 20MHz of bandwidth by using a 12" twisted pair-wire terminated with a 0.1uF & 47uF parallel capacitor. 3. Tolerance: includes setup time tolerance, line regulation and load regulation. 4. De-rating may apply in low input voltage. Please check the de-rating curve for more details. 5. This test is done without enclosure: I/P-O/P 4242VDC. If with enclosure: I/P-O/P 2121VDC. 	

Mechanical Drawings

Unit: mm [inch]



Features

- Universal AC input / Full range
- Medical safety approval: ANSI / AAMI ES 60601-1 / TUV EN 60601-1:2006; IEC 60601-1 / 2xMOPP / BF
- Isolation class I
- Programmable output voltage (0%~105%)
- Programmable output current (0%~105%)
- Constant current limit
- Selectable +5V / 0.5A or +9V / 0.3A auxiliary output
- Forced current sharing at parallel operation
- Multiple remote settings via RS-232, RS-485 & I²C
- Power OK signal (Power good, Logic low)
- Remote ON / OFF, remote sense function
- Protection: OVP, OLP, OTP, Fan failure
- Low leakage current:
For earth < 500 μ A / 264VAC; For patient < 100 μ A / 264VAC

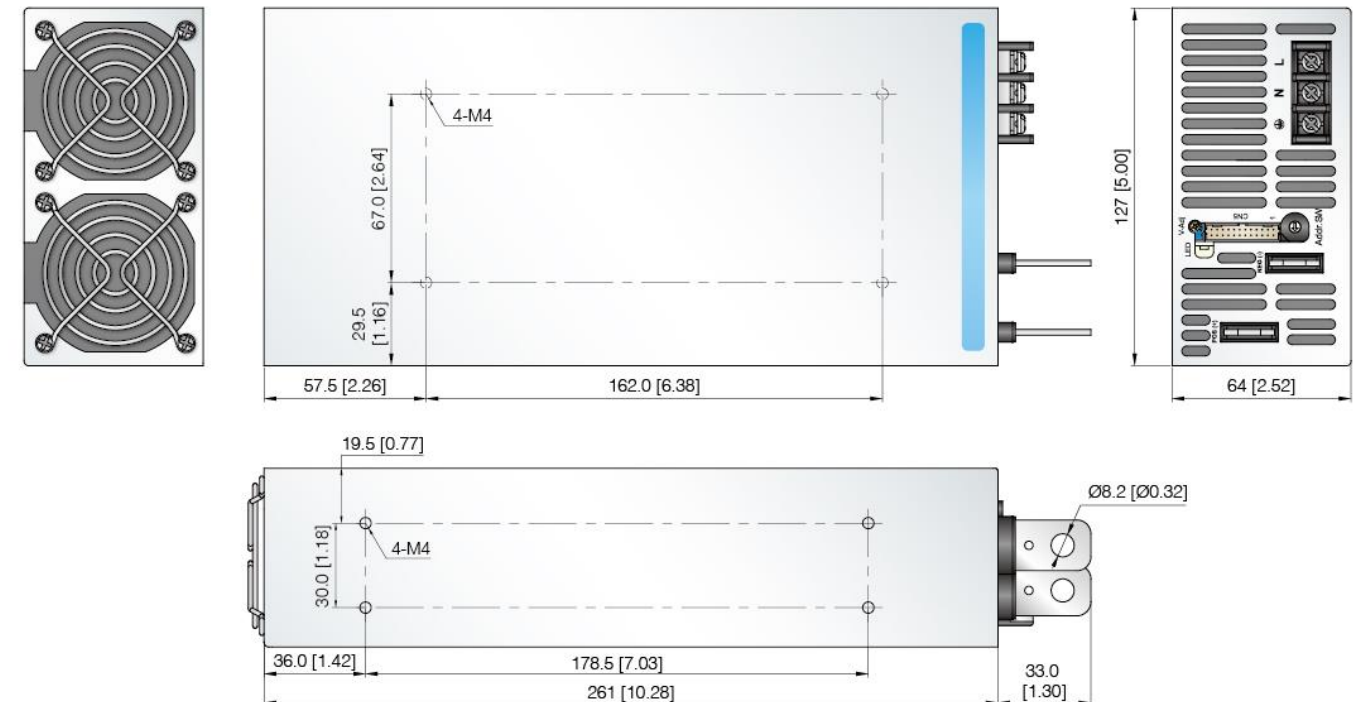


MODEL	ME-1200	
Safety & EMC	Safety Standards	Certified UL / cUL (ANSI / AAMI ES 60601-1; CAN / CSA-C22.2 No.60601-1); NFPA 99 Certified TUV (EN 60601-1; IEC 60601-1); 2xMOPP / BF
	Withstand Voltage	I/P-O/P: 4KVAC, I/P-FG: 1.8KVAC, O/P-FG: 0.5KVAC
	Isolation Resistance	I/P-O/P, I/P-FG, O/P-FG: 100M Ohms / 500VDC
	EMI Conduction & Radiation	Certified EN 55011 class B
	Power Harmonic & Voltage Fluctuation and Flicker	Certified EN 61000-3-2; EN 61000-3-3
Other	EMS Immunity	Certified EN 60601-1-2; IEC 61000-4-2, 3, 4, 5, 6, 8, 11
	Cooling	Load and temperature control fan
	Dimension (WxHxD)	127x64x261 mm
	Packing	2.6kg; 6pcs / 16.6kg / 1.86CUFT

Mechanical Drawings

Unit: mm [inch]

MODEL	ME-1200-12	ME-1200-15	ME-1200-24	ME-1200-30	ME-1200-36	ME-1200-48	ME-1200-60	
Output	DC Voltage	12V	15V	24V	30V	36V	48V	60V
	Rated Current	100A	80A	50A	40A	33.4A	25A	20A
	Rated Power	1200W						
	Ripple & Noise (Max.)	120mVp-p	150mVp-p	240mVp-p	300mVp-p	360mVp-p	480mVp-p	600mVp-p
Input	Voltage Range	90~264VAC, 127~370VDC (Please refer to de-rating curve)						
	Power Factor (Min.)	0.95 / 230VAC, 0.99 / 115 VAC at full load						
	Frequency Range	47~63 Hz						
	Efficiency (Typ.) at 230VAC	89%	90%	91%	92%	92%	93%	93%
	Inrush Current (Max.)	30A / 115VAC, 45A / 230VAC						
Protection	Over Load	105% rated output power. Protection type: Constant current limit						
	Over Voltage	Variable OVP, 120 \pm 7% Vout. Refer to VCI v.s. OVP curve in the datasheet Protection type: Latch-style (Recovery after reset AC power ON or inhibit)						
	Over Temperature	85°C \pm 5°C detect on NTC. Protection type: Auto recovery after temperature goes down Protection type: Shutdown O/P voltage (Recovers automatically after temperature goes down)						
Function	Auxiliary Power	Selectable +5V / 0.5A or +9V / 0.3A auxiliary output						
	Remote ON/OFF Control	by external switch						
	Power OK Signal	Open drain signal low when PSU turns ON, Max. sink current: 20mA; Max. drain voltage: 40V						
	Output Voltage Trim	0~105% of rated output						
	Output Current Trim	0~105% of rated output						
Environment	Working Temperature	-20°C ~ 60°C (Refer to de-rating curve)						
	Working Humidity	20 ~ 90% RH non-condensing						
	Storage Temp. & Humidity	-40°C ~ 85°C, 10 ~ 95% RH						
	Temperature Coefficient	\pm 0.02% / °C (0°C ~ 50°C)						
	Vibration	10~500Hz, 2G 10 min. / 1 cycle, period for 60 min. each along X, Y, Z axes Certified IEC 60068-2-6:2007; IEC 60068-2-64:2008						



AE Series

800W Wide Programmable Range Single Output Power Supply

Features

- Universal AC input / Full range
- Programmable output voltage (0%~105%)
- Programmable output current (0%~105%)
- Forced current sharing at parallel operation
- Constant current limit
- Selectable +5V / 0.5A or +9V / 0.3A auxiliary output
- Remote setting multiple PSU via RS-232, RS-485 & I²C
- Power OK signal
- Remote ON / OFF, Remote sense function
- Protection: OVP, OLP, OTP, Fan failure

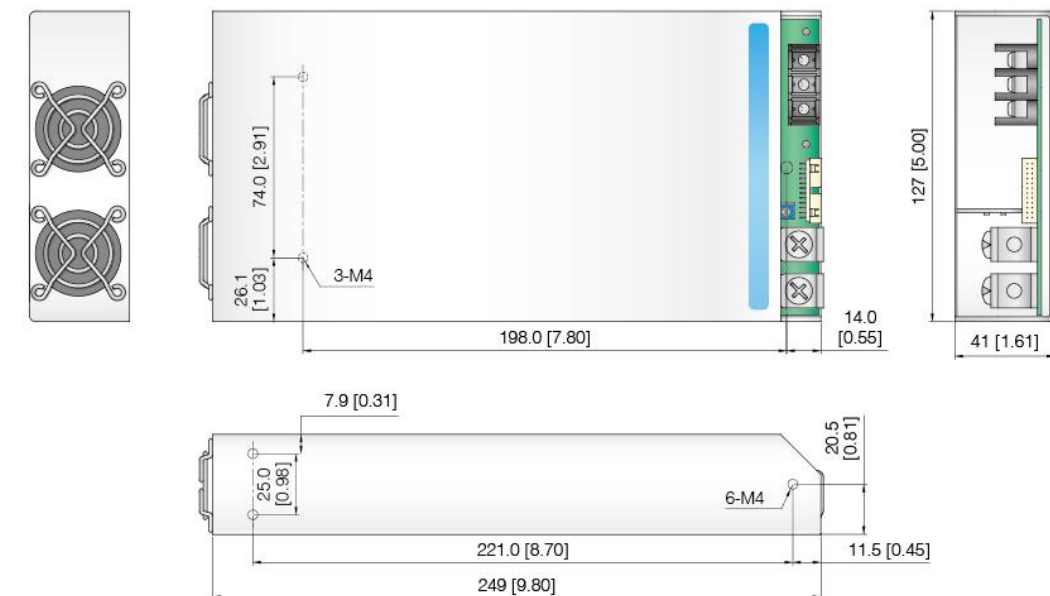


MODEL	AE-800-12	AE-800-15	AE-800-24	AE-800-30	AE-800-36	AE-800-48	AE-800-60	
Output	DC Voltage	12V	15V	24V	30V	36V	48V	60V
	Rated Current	66.7A	53.4A	33.5A	26.7A	22.3A	16.7A	13.4A
	Rated Power	800W						
	Ripple & Noise (Max.)	120mVp-p	150mVp-p	240mVp-p	300mVp-p	360mVp-p	480mVp-p	600mVp-p
	Voltage Adj. Range	± 5.0% Typical adjustment by potentiometer. (VR1)						
	Voltage Tolerance	± 2.0%						
	Line Regulation	± 1.0%						
	Load Regulation	± 1.0%						
	Setup, Rise Time	800ms, 100ms at full load						
	Hold Up Time (Typ.)	14ms / 230VAC at full load						
Input	Voltage Range	90~264VAC, 127~370VDC						
	Frequency Range	47~63Hz						
	Power Factor (Typ.)	0.95 / 230VAC, 0.98 / 115VAC at full load						
	Efficiency (Typ.)	89%	90%	92%	92%	92%	92%	93%
	AC Current (Typ.)	9.3A / 100VAC, 3.7A / 240VAC						
	Inrush Current (Typ.)	30A / 115VAC, 60A / 230VAC						
Leakage Current	< 1.0mA / 240VAC							
Protection	Over Load	105% rated output power. Protection type: Constant current limit						
	Over Voltage	Variable OVP, 120±7% Vout. Refer to VCI v.s. OVP curve in the datasheet Protection type: Latch-style (Recovery after reset AC power ON or inhibit)						
	Over Temperature	85 ± 5°C detect on NTC. Protection type: Auto recovery after temperature goes down						
Function	Auxiliary Power	Selectable +5V / 0.5A or +9V / 0.3A auxiliary output						
	Remote ON / OFF Control	By external switch						
	Power OK Signal	Open drain signal low when PSU turn on, Max. sink current: 20mA, Max. drain voltage: 40V						
	Output Voltage Trim	Adjustment of output voltage is between 0~105% of rated output						
	Output Current Trim	Adjustment of output current is between 0~105% of rated output						
	Parallel (Current Sharing)	Yes, please refer to datasheet						
Address Setting	Up to 8 units can be set using an address switch (sw1), 0~7							

MODEL	AE-800-12	AE-800-15	AE-800-24	AE-800-30	AE-800-36	AE-800-48	AE-800-60	
Environment	Working Temperature	-20°C ~ 60°C (Refer to de-rating curve)						
	Working Humidity	20 ~ 90% RH non-condensing						
	Storage Temp. & Humidity	-40°C ~ 85°C, 10 ~ 95% RH						
	Temperature Coefficient	± 0.02% / °C (0°C ~ 50°C)						
	Vibration	10~500Hz, 2G 10 min. / 1 cycle, period for 60 min. each along X, Y, Z axes Compliance to IEC 60068-2-6; IEC 60068-2-64						
Safety & EMC	Safety Standards	Certified UL 60950-1; EN 60950-1						
	Withstand Voltage	I/P-O/P: 3KVAC (4242VDC), I/P-FG: 1.5KVAC (2121VDC), O/P-FG: 0.5KVAC (707VDC)						
	Isolation Resistance	I/P-O/P, I/P-FG, O/P-FG: 100M Ohms / 500VDC						
	EMI Conduction & Radiation	Certified EN 55022 class B; EN 61204-3; EN 61000-6-3						
	Power Harmonic & Voltage Fluctuation and Flicker	Certified EN 61000-3-2; EN 61000-3-3						
	EMS Immunity	Certified EN 55024; EN 61204-3; EN 61000-6-1; IEC 61000-4-2, 3, 4, 5, 6, 8, 11						
Other	Cooling	Load and temperature control fan						
	Dimension (WxHxD)	127x41x249 mm						
	Packing	1.7kg; 6pcs / 11.2kg / 0.55CUFT						

Mechanical Drawings

Unit: mm [inch]



Features

- Universal AC input / Full range
- Programmable output voltage (0%~105%)
- Programmable output current (0%~105%)
- Forced current sharing at parallel operation
- Constant current limit
- Selectable +5V / 0.5A or +9V / 0.3A auxiliary output
- Remote setting multiple PSU via RS-232, RS-485 & I²C
- Power OK signal
- Remote ON / OFF, Remote sense function
- Protection: OVP, OLP, OTP, Fan failure

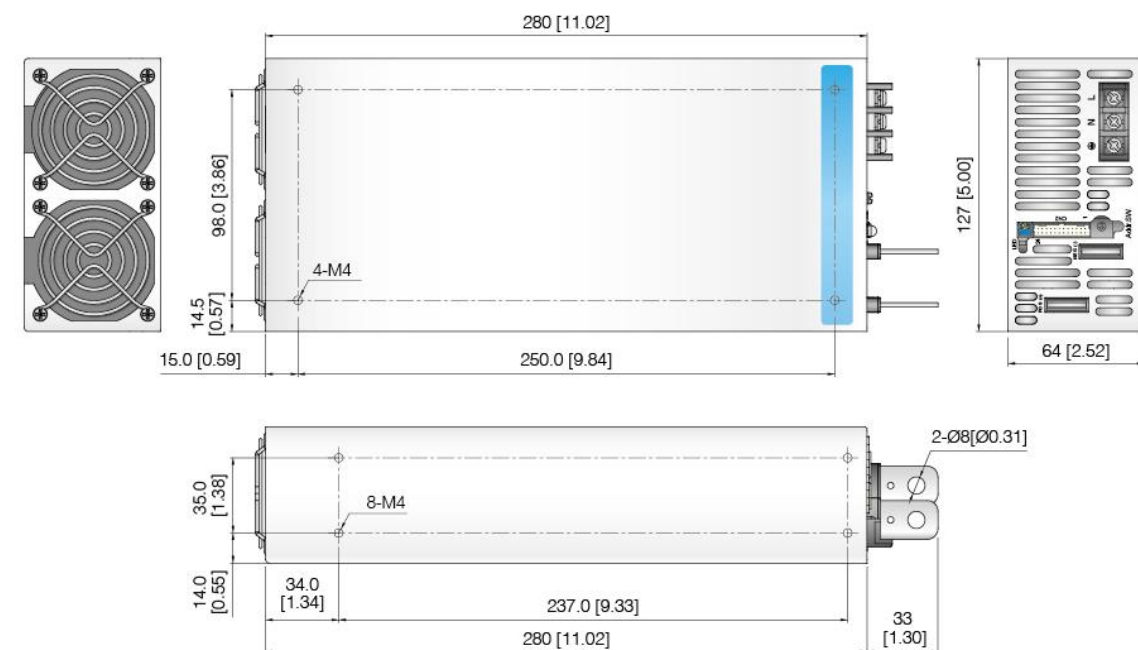


MODEL	AE-1500-12	AE-1500-15	AE-1500-24	AE-1500-30	AE-1500-36	AE-1500-48	AE-1500-60	AE-1500-120		
Output	DC Voltage	12V	15V	24V	30V	36V	48V	60V	120V	
	Rated Current	125A	100A	62.5A	50A	41.7A	31.3A	25A	12.5A	
	Rated Power	1500W								
	Ripple & Noise (Max.)	150mVp-p	150mVp-p	240mVp-p	300mVp-p	360mVp-p	480mVp-p	600mVp-p	1200mVp-p	
	Voltage Adj. Range	± 5.0% Typical adjustment by potentiometer. (VR1)								
	Voltage Tolerance	± 2.0%								
	Line Regulation	± 1.0%								
	Load Regulation	± 1.0%								
	Setup, Rise Time	800ms, 100ms at full load								
	Hold Up Time (Typ.)	14ms / 230VAC at full load								
Input	Voltage Range	90~264VAC, 127~370VDC								
	Frequency Range	47~63Hz								
	Power Factor (Typ.)	0.95 / 230VAC, 0.99 / 115VAC at full load								
	Efficiency (Typ.)	89%	90%	92%	92%	92%	92%	93%	93%	
	AC Current (Typ.)	18A / 115VAC, 9A / 230VAC								
	Inrush Current (Typ.)	30A / 115VAC, 45A / 230VAC								
Leakage Current	< 2.5mA / 240VAC									
Protection	Over Load	105% rated output power. Protection type: Constant current limit								
	Over Voltage	Variable OVP, 120±7% Vout. Refer to VCI v.s. OVP curve in the datasheet Protection type: Latch-style (Recovery after reset AC power ON or inhibit)								
	Over Temperature	85 ± 5°C detect on NTC. Protection type: Auto recovery after temperature goes down								
Function	Auxiliary Power	Selectable +5V / 0.5A or +9V / 0.3A auxiliary output								
	Remote ON / OFF Control	By external switch								
	Power OK Signal	Open drain signal low when PSU turn on, Max. sink current: 20mA, Max. drain voltage: 40V								
	Output Voltage Trim	Adjustment of output voltage is between 0~105% of rated output								
	Output Current Trim	Adjustment of output current is between 0~105% of rated output								
Parallel (Current Sharing)	Yes, please refer to datasheet									

MODEL	AE-1500-12	AE-1500-15	AE-1500-24	AE-1500-30	AE-1500-36	AE-1500-48	AE-1500-60	AE-1500-120	
Environment	Working Temperature	-25°C ~ 60°C (Refer to de-rating curve)							
	Working Humidity	20 ~ 90% RH non-condensing							
	Storage Temp. & Humidity	-40°C ~ 85°C, 10 ~ 95% RH							
	Temperature Coefficient	± 0.02% / °C (0°C ~ 50°C)							
	Vibration	10~500Hz, 2G 10 min. / 1 cycle, period for 60 min. each along X, Y, Z axes Compliance to IEC 60068-2-6; IEC 60068-2-64							
Safety & EMC	Safety Standards	Certified UL 60950-1; EN 60950-1							
	Withstand Voltage	I/P-O/P: 3KVAC (4242VDC), I/P-FG: 1.5KVAC (2121VDC), O/P-FG: 0.5KVAC (707VDC)							
	Isolation Resistance	I/P-O/P, I/P-FG, O/P-FG: 100M Ohms / 500VDC							
	EMI Conduction & Radiation	Certified EN 55022 class B; EN 61204-3; EN 61000-6-3							
	Power Harmonic & Voltage Fluctuation and Flicker	Certified EN 61000-3-2; EN 61000-3-3							
EMS Immunity	Certified EN 55024; EN 61204-3; EN 61000-6-1; IEC 61000-4-2, 3, 4, 5, 6, 8, 11								
Other	Cooling	Load and temperature control fan							
	Dimension (WxHxD)	127x64x280 mm							
	Packing	2.6kg; 6pcs / 16.6kg / 1.86CUFT							

Mechanical Drawings

Unit: mm [inch]



AE Series

3000W Wide Programmable Range Single Output Power Supply

Features

- Universal AC input / Full range
- Programmable output voltage (0%~105%)
- Programmable output current (0%~105%)
- Forced current sharing at parallel operation
- Constant current limit
- Selectable +5V / 0.5A or +9V / 0.3A auxiliary output
- Remote setting multiple PSU via RS-232, RS-485 & I²C
- Power OK signal
- Remote ON / OFF, Remote sense function
- Protection: OVP, OLP, OTP, Fan failure

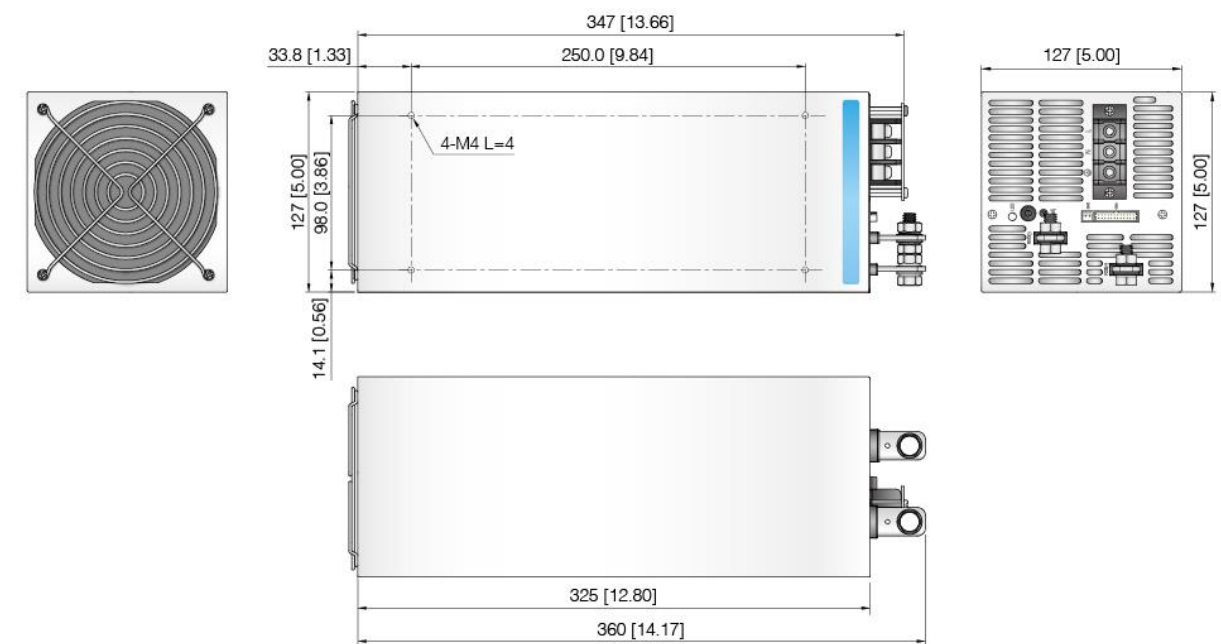


MODEL	AE-3000-12	AE-3000-15	AE-3000-24	AE-3000-30	AE-3000-36	AE-3000-48	AE-3000-60	
Environment	Working Temperature	-25°C ~ 60°C (Refer to de-rating curve)						
	Working Humidity	20 ~ 90% RH non-condensing						
	Storage Temp. & Humidity	-40°C ~ 85°C, 10 ~ 95% RH						
	Temperature Coefficient	± 0.02% / °C (0°C ~ 50°C)						
	Vibration	10~500Hz, 2G 10 min. / 1 cycle, period for 60 min. each along X, Y, Z axes Compliance to IEC 60068-2-6; IEC 60068-2-64						
Safety & EMC	Safety Standards	Certified UL 60950-1; EN 60950-1						
	Withstand Voltage	I/P-O/P: 3KVAC (4242VDC), I/P-FG: 1.5KVAC (2121VDC), O/P-FG: 0.5KVAC (707VDC)						
	Isolation Resistance	I/P-O/P, I/P-FG, O/P-FG: 100M Ohms / 500VDC						
	EMI Conduction & Radiation	Certified EN 55022 class A; EN 61204-3; EN 61000-6-3						
	Power Harmonic & Voltage Fluctuation and Flicker	Certified EN 61000-3-2; EN 61000-3-3						
Other	EMS Immunity	Certified EN 55024; EN 61204-3; EN 61000-6-1; IEC 61000-4-2, 3, 4, 5, 6, 8, 11						
	Cooling	Load and temperature control fan						
	Dimension (WxHxD)	127x127x325 mm						
Packing	5.25kg; 4pcs / 22kg / 1.86CUFT							

MODEL	AE-3000-12	AE-3000-15	AE-3000-24	AE-3000-30	AE-3000-36	AE-3000-48	AE-3000-60	
Output	DC Voltage	12V	15V	24V	30V	36V	48V	60V
	Rated Current	250A	200A	125A	100A	83.5A	62.5A	50A
	Rated Power	3000W						
	Ripple & Noise (Max.)	150mVp-p	150mVp-p	240mVp-p	300mVp-p	360mVp-p	480mVp-p	600mVp-p
	Voltage Adj. Range	± 5.0% Typical adjustment by potentiometer. (VR1)						
	Voltage Tolerance	± 2.0%						
	Line Regulation	± 1.0%						
	Load Regulation	± 1.0%						
	Setup, Rise Time	2000ms, 100ms at full load						
	Hold Up Time (Typ.)	14ms / 230VAC at full load						
Input	Voltage Range	90~264VAC, 127~370VDC						
	Frequency Range	47~63Hz						
	Power Factor (Typ.)	0.95 / 230VAC, 0.98 / 115VAC at full load						
	Efficiency (Typ.)	89%	90%	91%	91%	92%	92%	93%
	AC Current (Typ.)	36A / 115VAC (3000W), 18A / 230VAC (3000W)						
	Inrush Current (Typ.)	60A / 115VAC, 90A / 230VAC						
Leakage Current	< 2.5mA / 240VAC							
Protection	Over Load	105% rated output power. Protection type: Constant current limit						
	Over Voltage	Variable OVP, 120±7% Vout. Refer to VCI v.s. OVP curve in the datasheet Protection type: Latch-style (Recovery after reset AC power ON or inhibit)						
	Over Temperature	85 ± 5°C detect on NTC. Protection type: Auto recovery after temperature goes down						
Function	Auxiliary Power	Selectable +5V / 0.5A or +9V / 0.3A auxiliary output						
	Remote ON / OFF Control	By external switch						
	Power OK Signal	Open drain signal low when PSU turn on, Max. sink current: 20mA, Max. drain voltage: 40V						
	Output Voltage Trim	Adjustment of output voltage is between 0~105% of rated output						
	Output Current Trim	Adjustment of output current is between 0~105% of rated output						
Parallel (Current Sharing)	Yes, please refer to datasheet							

Mechanical Drawings

Unit: mm [inch]



Features

- Universal AC input / Full range
- Programmable output voltage (0%~105%)
- Programmable output current (0%~105%)
- High power density 16.3W / inch³
- Forced current sharing at parallel operation
- Constant current limit
- Selectable +5V / 0.5A or +9V / 0.3A auxiliary output
- Remote setting multiple PSU via RS-232, RS-485 & I²C
- Power OK signal
- Remote ON / OFF, remote sense function
- Protection: OVP, OLP, OTP, Fan failure



Low Output Voltage (LV)

MODEL	AEK-3000-12	AEK-3000-15	AEK-3000-24	AEK-3000-30	AEK-3000-36	AEK-3000-48	AEK-3000-60	
Output	DC Voltage	12V	15V	24V	30V	36V	60V	
	Rated Current	200A	160A	125A	100A	83.5A	50A	
	Rated Power *	2400W	2400W	3000W	3000W	3006W	3000W	
	Ripple & Noise (Max.)	150mVp-p	150mVp-p	240mVp-p	300mVp-p	360mVp-p	480mVp-p	600mVp-p
	Voltage Adj. Range	± 5.0% Typical adjustment by potentiometer. (VR1)						
Input	Voltage Range	90~264VAC, 127~370VDC (Refer to de-rating curve)						
	Efficiency (Typ.)	88%	89%	91%	91%	92%	92%	93%
	Inrush Current (Typ.)	33A / 115VAC, 65A / 230VAC						

High Output Voltage (HV)

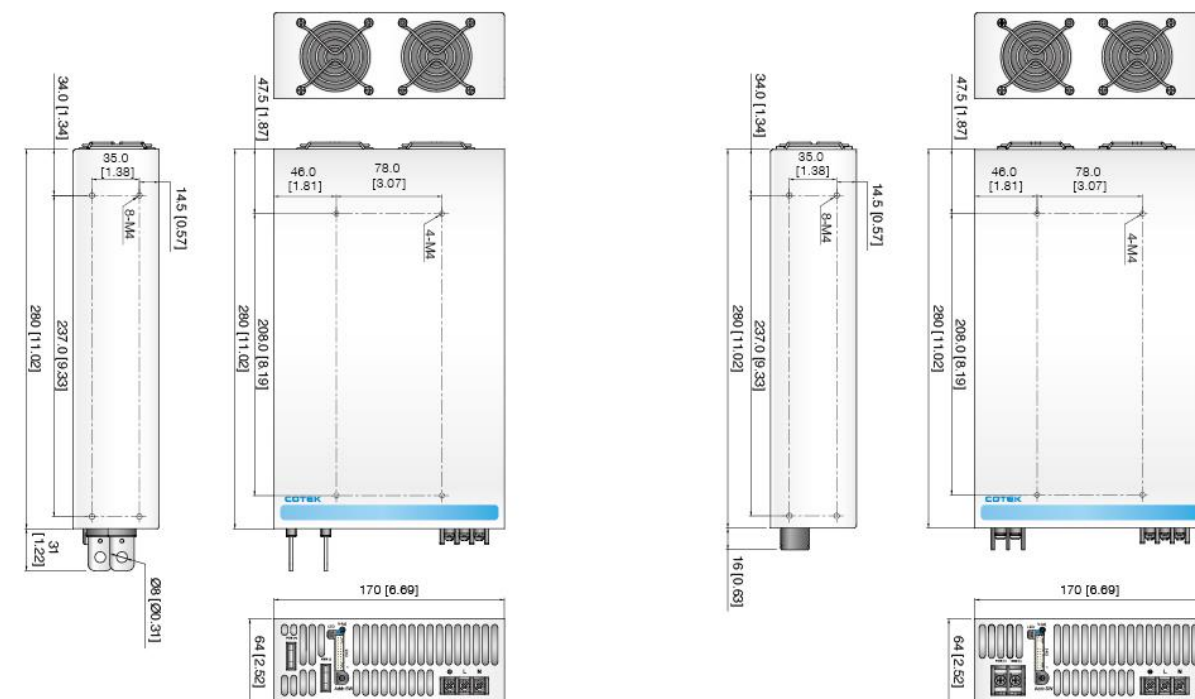
MODEL	AEK-3000-150	AEK-3000-200	AEK-3000-250	AEK-3000-300	AEK-3000-400	
Output	DC Voltage	150V	200V	250V	300V	400V
	Rated Current	20A	15A	12A	10A	7.5A
	Rated Power *	3000W				
	Ripple & Noise (Max.)	1500mVp-p	2000mVp-p	2500mVp-p	3000mVp-p	4000mVp-p
	Voltage Adj. Range	± 5.0% Typical adjustment by potentiometer. (VR1)				
Input	Voltage Range	90~264VAC, 127~370VDC (Refer to de-rating curve)				
	Efficiency (Typ.)	93%				
	Inrush Current (Typ.)	33A / 115VAC, 65A / 230VAC				

* Rated power could be de-rated when AC input is below 180VAC, please refer to datasheet

MODEL	AEK-3000(LV)	AEK-3000(HV)	
Protection	Over Load	105% rated output power. Protection type: Constant current limit	
	Over Voltage	Variable OVP, 120±7% Vout. Refer to VCI v.s. OVP curve in the datasheet Protection type: Latch-style (Recovery after reset AC power ON or inhibit)	
	Over Temperature	85 ± 5°C detect on NTC. Protection type: Auto recovery after temperature goes down	
Environment	Working Temperature	-20°C ~ 60°C (Refer to de-rating curve)	
	Working Humidity	20 ~ 90% RH non-condensing	
	Storage Temp. & Humidity	-40°C ~ 85°C, 10 ~ 95% RH	
	Temperature Coefficient	± 0.02% / °C (0°C ~ 50°C)	
	Vibration	10~500Hz, 5G 10 min. / 1 cycle, period for 60 min. each along X, Y, Z axes Compliance to IEC 60068-2-6; IEC 60068-2-64	
Safety & EMC	Safety Standards	Certified UL 60950-1; EN 60950-1	Meet UL 62368-1; EN 62368-1
	Withstand Voltage	I/P-O/P: 3KVAC (4242VDC), I/P-FG: 1.5KVAC (2121VDC), O/P-FG: 0.5KVAC (707VDC)	
	Isolation Resistance	I/P-O/P, I/P-FG, O/P-FG: 100M Ohms / 500VDC	
	EMI Conduction & Radiation	Certified EN 55022 class B; EN 61204-3; EN 61000-6-3	Meet EN 55022 class A
	Power Harmonic & Voltage Fluctuation and Flicker	Certified EN 61000-3-2; EN 61000-3-3	Meet EN 61000-3-2; EN 61000-3-3
	EMS Immunity	Certified EN 55024; EN 61204-3; EN 61000-6-1; IEC 61000-4-2, 3, 4, 5, 6, 8, 11	Meet EN 55024; IEC 61000-4-2, 3, 4, 5, 6, 8, 11
Other	Cooling	Load and temperature control fan	
	Dimension (WxHxD)	170x64x280 mm	
	Packing	3.8kg; 4pcs / 16.2kg / 2.48CUFT	

Mechanical Drawings

Unit: mm [inch]



Features

- Universal AC input / Full range
- Built in active PFC function, PF > 0.90
- +5V / 0.3A auxiliary output
- 150% Peak load capability
- Constant current limit
- Power OK signal
- Remote ON / OFF, remote sense function
- Protection: OVP, OLP, OTP, SCP, Fan failure

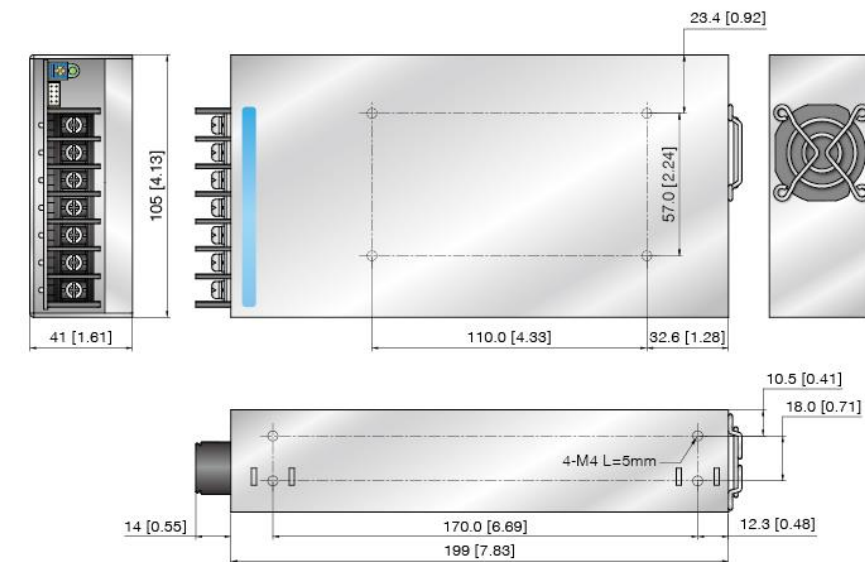


MODEL	AK-450-12	AK-450-24	AK-450-30	AK-450-36	AK-450-48	
Output	DC Voltage	12V	24V	30V	36V	48V
	Rated Current	37.5A	19A	15A	12.7A	9.5A
	Current Range	0~37.5A	0~19A	0~15A	0~12.7A	0~9.5A
	Rated Power	450W				
	Ripple & Noise (Max.)	< 1% (mVp-p), according to the rated output voltage				
	Voltage Adj. Range	± 10% Typical adjustment by potentiometer				
	Voltage Tolerance	± 1.0%				
	Line Regulation	± 0.5%				
	Load Regulation	± 0.5%				
	Setup, Rise Time	800ms, 60ms at full load				
Hold Up Time (Typ.)	16ms / 230VAC at full load					
Input	Voltage Range	90~264VAC, 127~373VDC				
	Frequency Range	47~63 Hz				
	Power Factor (Typ.)	0.98 / 230VAC, 0.99 / 115VAC at full load				
	Efficiency at 230VAC	89%	91%	91%	92%	93%
	AC Current (Typ.)	4.5A / 115VAC, 2.2A / 230VAC				
	Inrush Current (Typ.)	27A / 115VAC, 54A / 230VAC				
Leakage Current	< 1.0mA / 240VAC					
Protection	Over Load	Hiccup mode: When the rated output power is within 105~150% for more than 3 sec. Constant current limit: >150% rated power / short circuit Auto-recovery: If O/P drop to 40% of the rated output voltage, PSU will shutdown and auto recover 5 times (If fault condition remains after 5 times recovery, PSU will shutdown. User must re-power ON to recovery)				
	Over Voltage	14.4~15.6V	28.8~31.2V	36.0~39.0V	43.2~46.8V	57.8~62.4V
		Protection type: Latch-style (Recovery after reset AC power ON or inhibit)				
	Over Temperature	By detecting primary and secondary heat sink Protection type: Shutdown O/P voltage (Recovers automatically after temperature goes down)				

MODEL	AK-450-12	AK-450-24	AK-450-30	AK-450-36	AK-450-48	
Function	Auxiliary Power	5V / 0.3A (±3%)				
	Remote ON/OFF Control	External switch or NPN transistor to turn ON / OFF				
	Power OK Signal	Open drain signal low when PSU turns ON, Max. sink current: 20mA; Max. drain voltage: 40V				
Environment	Working Temperature	-20°C ~ 70°C (Refer to de-rating curve)				
	Working Humidity	20 ~ 90% RH non-condensing				
	Storage Temp. & Humidity	-40°C ~ 85°C, 10 ~ 95% RH				
	Temperature Coefficient	± 0.02% / °C (0°C ~ 50°C)				
	Vibration	10~500Hz, 5G 10 min. / 1 cycle, period for 60 min. each along X, Y, Z axes Compliance to IEC 68-2-6; IEC 68-2-64				
Safety & EMC	Safety Standards	Certified UL 60950-1; EN 60950-1				
	Withstand Voltage	I/P-O/P: 3KVAC (4242VDC), I/P-FG: 1.5KVAC (2121VDC), O/P-FG: 0.5KVAC (707VDC)				
	Isolation Resistance	I/P-O/P, I/P-FG, O/P-FG: 100M Ohms / 500VDC				
	EMI Conduction & Radiation	Certified EN 55022 class B				
	Power Harmonic & Voltage Fluctuation and Flicker	Certified EN 61000-3-2; EN 61000-3-3				
Other	EMS Immunity	Certified EN 55024; IEC 61000-4-2, 3, 4, 5, 6, 8, 11				
	Cooling	Load and temperature control fan				
	Dimension (WxHxD)	105x41x199 mm				
	Packing	1.03kg; 9pcs / 10.8kg / 1.42CUFT				

Mechanical Drawings

Unit: mm [inch]



Features

- Universal AC input / Full range
- Programmable output voltage (30%~105%)
- Programmable output current (40%~105%)
- +5V / 0.5A auxiliary output
- Forced current sharing at parallel operation
- Power OK signal
- Remote ON / OFF, remote sense function
- Protection: OVP, OLP, OTP, SCP, Fan failure

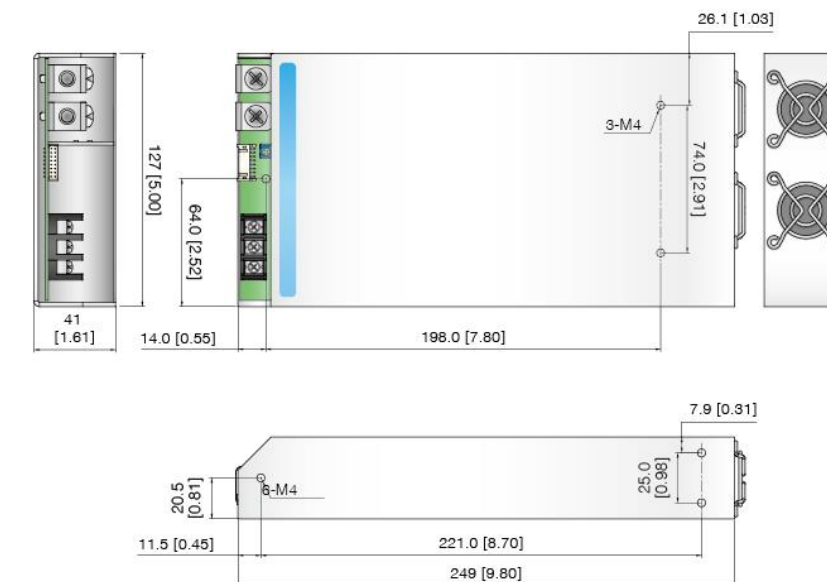


MODEL	AK-650-05	AK-650-12	AK-650-15	AK-650-24	AK-650-27	AK-650-48	
Output	DC Voltage	5V	12V	15V	24V	27V	48V
	Rated Current	100A	50A	40A	27A	24A	13.6A
	Current Range	0~100A	0~50A	0~40A	0~27A	0~24A	0~13.6A
	Rated Power	500W	600W	600W	650W	650W	650W
	Ripple & Noise (Max.)	150mVp-p	150mVp-p	< 1% (mVp-p), according to the rated output voltage			
	Voltage Adj. Range	± 5.0% Typical adjustment by potentiometer					
	Voltage Tolerance	± 1.0%					
	Line Regulation	± 0.5%					
	Load Regulation	± 0.5%					
	Setup, Rise Time	800ms, 60ms at full load					
Input	Hold Up Time (Typ.)	16ms / 230VAC at full load					
	Voltage Range	90~264VAC, 127~370VDC					
	Frequency Range	47~63 Hz					
	Power Factor (Typ.)	0.98 / 230VAC, 0.99 / 115VAC at full load					
	Efficiency (Typ.)	83%	88%	88%	90%	90%	91%
	AC Current (Typ.)	7.5A / 115VAC, 3.5A / 230VAC					
	Inrush Current (Typ.)	27A / 115VAC, 54A / 230VAC					
	Leakage Current	< 1.0mA / 240VAC					
Protection	Over Load	105~125% rated output power Protection type: Total power limit, latch-style (recovery after reset AC power ON or inhibit)					
	Over Voltage	Variable OVP, 125 ± 10% Vout. Protection type: Latch-style (Recovery after reset AC power ON or inhibit)					
	Over Temperature	By detecting primary and secondary heat sink Protection type: Shutdown O/P voltage (Recovers automatically after temperature goes down)					

MODEL	AK-650-05	AK-650-12	AK-650-15	AK-650-24	AK-650-27	AK-650-48
Function	Auxiliary Power	5V / 0.5A (±3%)				
	Remote ON/OFF Control	External switch or NPN transistor to turn ON / OFF				
	Power OK Signal	Open drain signal low when PSU turns ON, Max. sink current: 20mA; Max. drain voltage: 40V				
	Output Voltage Trim	Adjustment of output voltage is between 30~105% of rated output				
	Output Current Trim	Adjustment of output current is between 40~105% of rated output				
	Parallel (Current Sharing)	Yes, please refer to datasheet				
Environment	Working Temperature	-25°C ~ 60°C (Refer to de-rating curve)				
	Working Humidity	20 ~ 90% RH non-condensing				
	Storage Temp. & Humidity	-40°C ~ 85°C, 10 ~ 95% RH				
	Temperature Coefficient	± 0.02% / °C (0°C ~ 50°C)				
	Vibration	10~500Hz, 5G 10 min. / 1 cycle, period for 60 min. each along X, Y, Z axes Compliance to IEC 68-2-6; IEC 68-2-64				
Safety & EMC	Safety Standards	Certified UL 60950-1; EN 60950-1				
	Withstand Voltage	I/P-O/P: 3KVAC (4242VDC), I/P-FG: 1.5KVAC (2121VDC), O/P-FG: 0.5KVAC (707VDC)				
	Isolation Resistance	I/P-O/P, I/P-FG, O/P-FG: 100M Ohms / 500VDC				
	EMI Conduction & Radiation	Certified EN 55022 class B				
	Power Harmonic & Voltage Fluctuation and Flicker	Certified EN 61000-3-2; EN 61000-3-3				
	EMS Immunity	Certified EN 55024; IEC 61000-4-2, 3, 4, 5, 6, 8, 11				
Other	Cooling	Load and temperature control fan				
	Dimension (WxHxD)	127x41x249 mm				
	Packing	1.68kg; 9pcs / 16.1kg / 1.86CUFT				

Mechanical Drawings

Unit: mm [inch]



Features

- Universal AC input / Full range
- Programmable output voltage (30%-105%)
- Programmable output current (40%-105%)
- +5V / 0.5A auxiliary output
- IU profile, high power density 11.1W / in³
- Forced current sharing at parallel operation
- Power OK signal
- Remote ON / OFF, remote sense function
- Protection: OVP, OLP, OTP, SCP, Fan failure

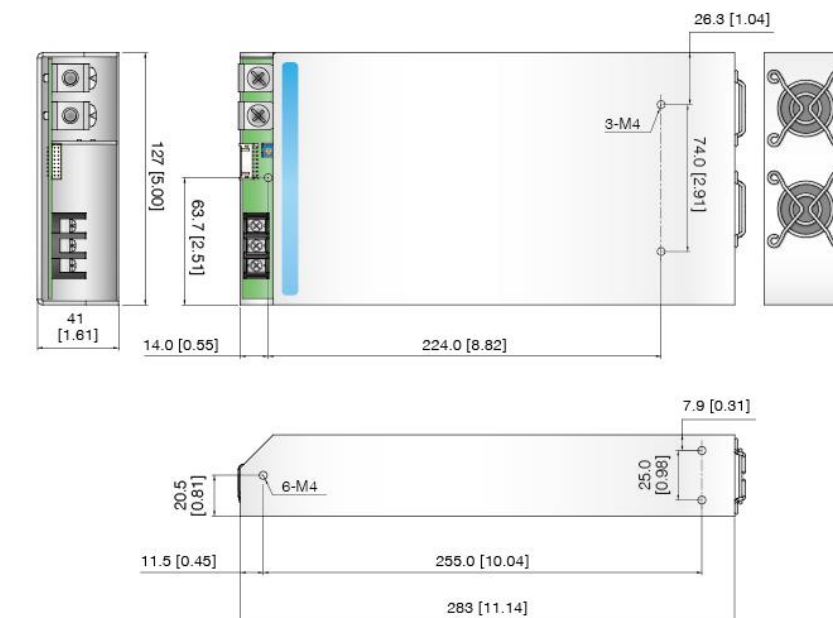


MODEL	AK-1000-12	AK-1000-15	AK-1000-24	AK-1000-27	AK-1000-48	
Function	Auxiliary Power	5V / 0.5A (± 3%)				
	Remote ON/OFF Control	External switch or NPN transistor to turn ON / OFF				
	Power OK Signal	Open drain signal low when PSU turns ON, Max. sink current: 20mA; Max. drain voltage: 40V				
	Output Voltage Trim	Adjustment of output voltage is between 30-100% of rated output				
	Output Current Trim	Adjustment of output current is between 40-105% of rated output				
	Parallel (Current Sharing)	Yes, please refer to datasheet				
Environment	Working Temperature	-25°C ~ 60°C (Refer to de-rating curve)				
	Working Humidity	20-90% RH non-condensing				
	Storage Temp. & Humidity	-40°C ~ 85°C, 10 ~ 95% RH				
	Temperature Coefficient	± 0.02% / °C (0°C ~ 50°C)				
Safety & EMC	Vibration	10-500Hz, 5G 10 min. / 1 cycle, period for 60 min. each along X, Y, Z axes Compliance to IEC 68-2-6; IEC 68-2-64				
	Safety Standards	Certified UL 60950-1; EN 60950-1				
	Withstand Voltage	I/P-O/P: 3KVAC (4242VDC), I/P-FG: 1.5KVAC (2121VDC), O/P-FG: 0.5KVAC (707VDC)				
	Isolation Resistance	I/P-O/P, I/P-FG, O/P-FG: 100M Ohms / 500VDC				
	EMI Conduction & Radiation	Certified EN 55022 class B; EN 61000-6-3				
Other	Power Harmonic & Voltage Fluctuation and Flicker	Certified EN 61000-3-2; EN 61000-3-3				
	EMS Immunity	Certified EN 55024; EN 61204-3; EN 61000-6-1; IEC 61000-4-2, 3, 4, 5, 6, 8, 11				
	Cooling	Load and temperature control fan				
Other	Dimension (WxHxD)	127x41x283 mm				
	Packing	2.1kg; 9pcs / 19.9kg / 1.86CUFT				

MODEL	AK-1000-12	AK-1000-15	AK-1000-24	AK-1000-27	AK-1000-48		
Output	DC Voltage	12V	15V	24V	27V	48V	
	Rated Current	62A	50A	40A	37A	21A	
	Current Range	0-62A	0-50A	0-40A	0-37A	0-21A	
	Rated Power	744W	750W	1000W	1000W	1000W	
	Ripple & Noise (Max.)	150mVp-p	< 1% (mVp-p), according to the rated output voltage				
	Voltage Adj. Range	± 5.0% Typical adjustment by potentiometer (VR1)					
	Voltage Tolerance	± 1.0%					
	Line Regulation	± 0.5%					
	Load Regulation	± 0.5%					
	Setup, Rise Time	800ms, 60ms at full load					
Hold Up Time (Typ.)	16ms / 230VAC at full load						
Input	Voltage Range	90-264VAC, 127-370VDC					
	Frequency Range	47-63 Hz					
	Power Factor (Typ.)	0.98 / 230VAC, 0.99 / 115VAC at full load					
	Efficiency (Typ.)	87%	88%	89%	89%	90%	
	AC Current (Typ.)	12A / 115VAC, 5A / 230VAC					
	Inrush Current (Typ.)	27A / 115VAC, 54A / 230VAC					
Leakage Current	< 1.0mA / 240VAC						
Protection	Over Load	105% rated output power Protection type: Total power limit, latch-style (recovery after reset AC power ON or inhibit)					
	Over Voltage	Variable OVP, 125 ± 10% Vout. Protection type: Latch-style (Recovery after reset AC power ON or inhibit)					
	Over Temperature	By detecting primary and secondary heat sink Protection type: Shutdown O/P voltage (Recovers automatically after temperature goes down)					

Mechanical Drawings

Unit: mm [inch]



Features

- Universal AC input / Full range
- Programmable output voltage (30%~105%)
- Programmable output current (40%~105%)
- +5V / 0.5A auxiliary output
- High power density 10.8W / in³
- Forced current sharing at parallel operation
- Power OK signal
- Remote ON / OFF, remote sense function
- Protection: OVP, OLP, OTP, SCP, Fan failure

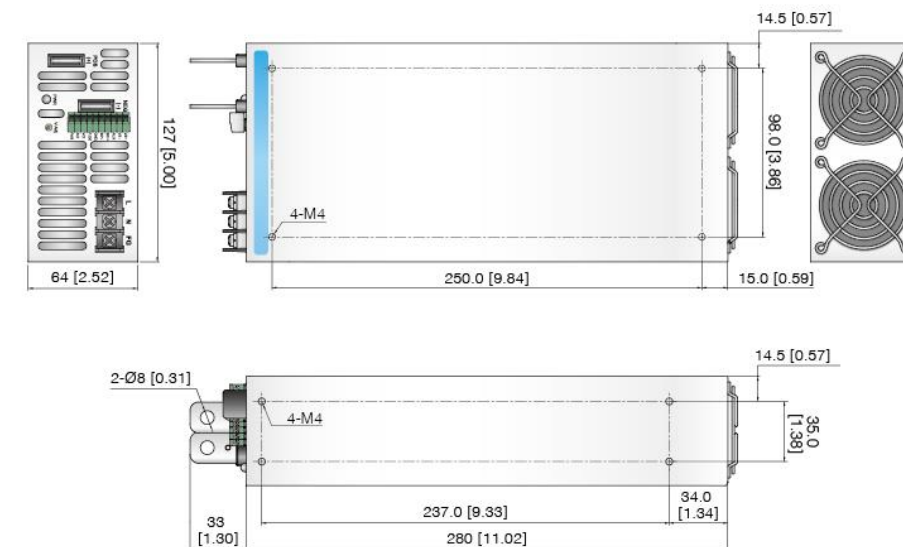


MODEL	AK-1500-12	AK-1500-15	AK-1500-24	AK-1500-27	AK-1500-48	
Output	DC Voltage	12V	15V	24V	27V	48V
	Rated Current	125A	100A	62.5A	55.5A	31.3A
	Current Range	0~125A	0~100A	0~62.5A	0~55.5A	0~31.3A
	Rated Power	1500W				
	Ripple & Noise (Max.)	150mVp-p	< 1% (mVp-p), according to the rated output voltage			
	Voltage Adj. Range	± 5.0% Typical adjustment by potentiometer (VR1)				
	Voltage Tolerance	± 1.0%				
	Line Regulation	± 0.5%				
	Load Regulation	± 0.5%				
	Setup, Rise Time	800ms, 200ms at full load				
Hold Up Time (Typ.)	16ms / 230VAC at full load					
Input	Voltage Range	90~264VAC, 127~370VDC				
	Frequency Range	47~63 Hz				
	Power Factor (Typ.)	0.98 / 230VAC, 0.99 / 115VAC at full load				
	Efficiency (Typ.)	87%	88%	89%	89%	90%
	AC Current (Typ.)	18A / 115VAC, 9A / 230VAC				
	Inrush Current (Typ.)	30A / 115VAC, 45A / 230VAC				
Leakage Current	< 2.5mA / 240VAC					
Protection	Over Load	105%~110% rated output power Protection type: Constant current limit, latch-style (recovery after reset AC power ON or inhibit)				
	Over Voltage	Variable OVP, 120 ± 5% Vout. Protection type: Latch-style (Recovery after reset AC power ON or inhibit)				
	Over Temperature	80 ± 5°C Protection type: Shutdown O/P voltage (Recovers automatically after temperature goes down)				

MODEL	AK-1500-12	AK-1500-15	AK-1500-24	AK-1500-27	AK-1500-48	
Function	Auxiliary Power	5V / 0.5A (± 3%)				
	Remote ON/OFF Control	External switch or NPN transistor to turn ON / OFF				
	Power OK Signal	Open drain signal low when PSU turns ON, Max. sink current: 20mA; Max. drain voltage: 40V				
	Output Voltage Trim	Adjustment of output voltage is between 30~105% of rated output				
	Output Current Trim	Adjustment of output current is between 40~105% of rated output				
	Parallel (Current Sharing)	Yes, please refer to datasheet				
Environment	Working Temperature	-25°C ~ 60°C (Refer to de-rating curve)				
	Working Humidity	20 ~ 90% RH non-condensing				
	Storage Temp. & Humidity	-40°C ~ 85°C, 10 ~ 95% RH				
	Temperature Coefficient	± 0.02% / °C (0°C ~ 50°C)				
Vibration	10~500Hz, 5G 10 min. / 1 cycle, period for 60 min. each along X, Y, Z axes Compliance to IEC 60068-2-6-2007					
Safety & EMC	Safety Standards	Certified UL 60950-1; EN 60950-1				
	Withstand Voltage	I/P-O/P: 3KVAC (4242VDC), I/P-FG: 1.5KVAC (2121VDC), O/P-FG: 0.5KVAC (707VDC)				
	Isolation Resistance	I/P-O/P, I/P-FG, O/P-FG: 100M Ohms / 500VDC				
	EMI Conduction & Radiation	Certified EN 55022 class B; EN 61000-6-3				
	Power Harmonic & Voltage Fluctuation and Flicker	Certified EN 61000-3-2; EN 61000-3-3				
	EMS Immunity	Certified EN 55024; EN 61204-3; EN 61000-6-1; IEC 61000-4-2, 3, 4, 5, 6, 8, 11				
Other	Cooling	Load and temperature control fan				
	Dimension (WxHxD)	127x64x280 mm				
	Packing	3.2kg; 6pcs / 20.2kg / 1.86CUFT				

Mechanical Drawings

Unit: mm [inch]



Features

- Universal AC input / Full range
- Programmable output voltage (30%~105%)
- Programmable output current (40%~105%)
- +5V / 0.5A auxiliary output
- High power density 10.8W / in³
- Forced current sharing at parallel operation
- Power OK signal
- Remote ON / OFF, remote sense function
- Protection: OVP, OLP, OTP, SCP, Fan failure

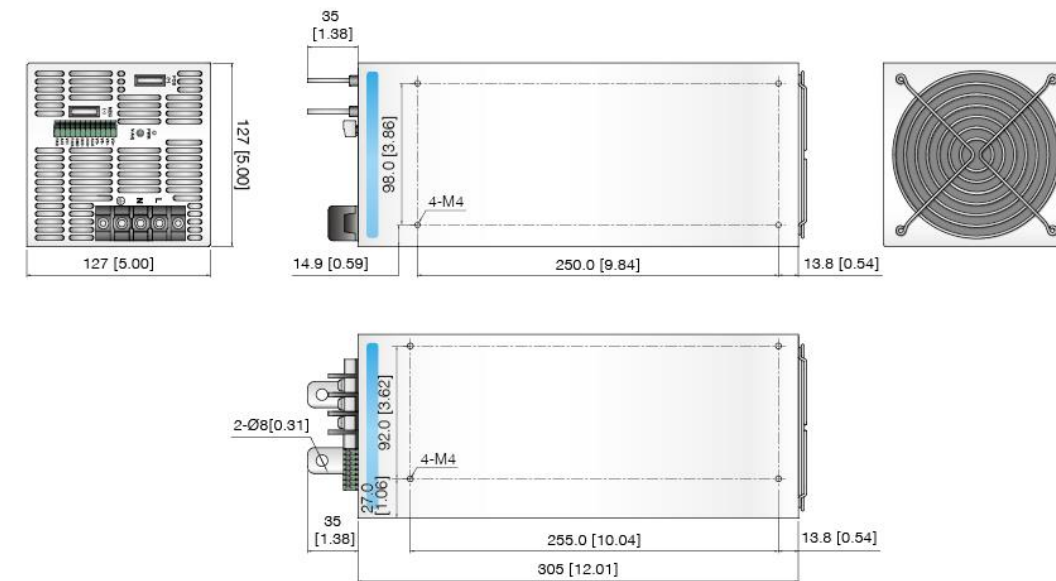


MODEL	AK-3000-12	AK-3000-15	AK-3000-24	AK-3000-27	AK-3000-48	
Output	DC Voltage	12V	15V	24V	27V	48V
	Rated Current	250A	200A	125A	111A	62.5A
	Current Range	0~250A	0~200A	0~125A	0~111A	0~62.5A
	Rated Power	3000W				
	Ripple & Noise (Max.)	150mVp-p	< 1% (mVp-p), according to the rated output voltage			
	Voltage Adj. Range	± 5.0% Typical adjustment by potentiometer (VR1)				
	Voltage Tolerance	± 1.0%				
	Line Regulation	± 0.5%				
	Load Regulation	± 0.5%				
	Setup, Rise Time	800ms, 200ms at full load				
Hold Up Time (Typ.)	16ms / 230VAC at full load					
Input	Voltage Range	90~264VAC, 127~370VDC				
	Frequency Range	47~63 Hz				
	Power Factor (Typ.)	0.98 / 230VAC, 0.99 / 115VAC at full load				
	Efficiency (Typ.)	87%	88%	89%	89%	90%
	AC Current (Typ.)	36A / 115VAC, 18A / 230VAC				
	Inrush Current (Typ.)	60A / 115VAC, 90A / 230VAC				
	Leakage Current	< 2.5mA / 240VAC				
Protection	Over Load	105%~110% rated output power Protection type: Constant current limit, latch-style (recovery after reset AC power ON or inhibit)				
	Over Voltage	Variable OVP, 125 ± 5% Vout. Protection type: Latch-style (Recovery after reset AC power ON or inhibit)				
	Over Temperature	80 ± 5°C Protection type: Shutdown O/P voltage (Recovers automatically after temperature goes down)				

MODEL	AK-3000-12	AK-3000-15	AK-3000-24	AK-3000-27	AK-3000-48	
Function	Auxiliary Power	5V / 0.5A (± 3%)				
	Remote ON/OFF Control	External switch or NPN transistor to turn ON / OFF				
	Power OK Signal	Open drain signal low when PSU turns ON, Max. sink current: 20mA; Max. drain voltage: 40V				
	Output Voltage Trim	Adjustment of output voltage is between 30~105% of rated output				
	Output Current Trim	Adjustment of output current is between 40~105% of rated output				
	Parallel (Current Sharing)	Yes, please refer to datasheet				
Environment	Working Temperature	-25°C ~ 60°C (Refer to de-rating curve)				
	Working Humidity	20 ~ 90% RH non-condensing				
	Storage Temp. & Humidity	-40°C ~ 85°C, 10 ~ 95% RH				
	Temperature Coefficient	± 0.02% / °C (0°C ~ 50°C)				
	Vibration	10~500Hz, 1G 10 min. / 1 cycle, period for 60 min. each along X, Y, Z axes Compliance to IEC 60068-2-6-2007				
Safety & EMC	Safety Standards	Certified UL 60950-1; EN 60950-1				
	Withstand Voltage	I/P-O/P: 3KVAC (4242VDC), I/P-FG: 1.5KVAC (2121VDC), O/P-FG: 0.5KVAC (707VDC)				
	Isolation Resistance	I/P-O/P, I/P-FG, O/P-FG: 100M Ohms / 500VDC				
	EMI Conduction & Radiation	Certified EN 55022 class A; EN 61000-6-4				
	Power Harmonic & Voltage Fluctuation and Flicker	Certified EN 61000-3-2; EN 61000-3-3				
	EMS Immunity	Certified EN 55024; EN 61204-3; EN 61000-6-2; IEC 61000-4-2, 3, 4, 5, 6, 8, 11				
Other	Cooling	Load and temperature control fan				
	Dimension (WxHxD)	127x127x305 mm				
	Packing	6.6kg; 4pcs / 27.4kg / 2.1CUFT				

Mechanical Drawings

Unit: mm [inch]



DV Series

150W / 240W / 480W
150% Peak Load DIN Rail Switching Mode Power Supply

Features

- Universal AC input / Full range
- Installed on DIN rail TS35 / 7.5 or 15
- Built-in active PFC function, PF > 0.95
- 150% Peak load capability
- Protection: SCP, OLP, OVP, OTP
- Two selectable peak load modes
- Built-in DC OK relay contact
- Built-in remote ON/OFF function
- UL 508



MODEL		DV-150-24	DV-150-48
Output	DC Voltage	24V	48V
	Rated Current	6.25A	3.125A
	Rated Power	150W	
	Ripple & Noise (Max.)	240mVp-p	480mVp-p
	Voltage Adj. Range	-2~+8%	
Input	Voltage Range	90~264VAC, 127~373VDC	
	Efficiency (Typ.)	87%	
	Inrush Current (Typ.)	33A / 115VAC, 65A / 230VAC	

MODEL		DV-240-24	DV-240-48
Output	DC Voltage	24V	48V
	Rated Current	10A	5A
	Rated Power	240W	
	Ripple & Noise (Max.)	240mVp-p	480mVp-p
	Voltage Adj. Range	-2~+8%	
Input	Voltage Range	90~264VAC, 127~373VDC	
	Efficiency (Typ.)	91%	92%
	Inrush Current (Typ.)	33A / 115VAC, 65A / 230VAC	

MODEL		DV-480-24	DV-480-48
Output	DC Voltage	24V	48V
	Rated Current	20A	10A
	Rated Power	480W	
	Ripple & Noise (Max.)	240mVp-p	480mVp-p
	Voltage Adj. Range	-5~+5%	
Input	Voltage Range	90~264VAC, 127~373VDC	
	Efficiency (Typ.)	93%	94%
	Inrush Current (Typ.)	33A / 115VAC, 65A / 230VAC	

MODEL	DV-150-24	DV-150-48	DV-240-24	DV-240-48	DV-480-24	DV-480-48
Protection	Hiccup mode: When the rated output power is within 105~150% (Refer to data sheet curve B)					
	Constant current limit: >150% rated power, O/P current: 150% rated for 2 secs					
	Mode 1: 100% rated power					
	Mode 2: Shut down					
Environment	Auto-recovery: If O/P drop to 25% of the rated output voltage, PSU will shutdown and auto-recover 5 times (If fault condition remains after 5 times recovery, PSU will shutdown. User must re-power ON to recover)					
	Over Load					
	Over Voltage	29~33V	56~65V	28~33V	56~65V	29~33V
Safety & EMC	Over Temperature	95°C ± 5°C (TSW: detect on heat sink of power diode) Protection type: Shutdown O/P voltage, recovers automatically after temperature goes down				
	DC OK Relay Contact Rating (Max.)	60VDC / 0.3A, 30VDC / 1A, 30VAC / 0.5A resistive load				
	Working Temperature	-10°C ~ 70°C (Refer to de-rating curve)		-25°C ~ 70°C (Refer to de-rating curve)		
	Working Humidity	20 ~ 95% RH non-condensing				
Other	Storage Temp. & Humidity	-40°C ~ 85°C, 10 ~ 95% RH				
	Temperature Coefficient	± 0.03% / °C (0°C ~ 50°C)				
	Vibration	Component: 10~500Hz, 2G 10 min. / 1 cycle, 60 min. each along X, Y, Z axes; Mounting: Certified IEC 60068-2-6				
	Safety Standards	Certified UL 508; EN 60950-1				
	Withstand Voltage	I/P-O/P: 4242VDC, I/P-FG: 2121VDC, O/P-FG: 707VDC, O/P-DC: 707VDC				
Safety & EMC	Isolation Resistance	I/P-O/P, I/P-FG, O/P-FG: >100M Ohms / 500VDC / 25°C / 70% RH				
	EMI Conduction & Radiation	Certified EN 55022 class B; EN 61000-6-3				
	Power Harmonic & Voltage Fluctuation and Flicker	Certified EN 61000-3-2, -3-3				
Other	EMS Immunity	Certified EN 61204-3; EN 55024; EN 61000-6-1; IEC 61000-4-2, 3, 4, 5, 6, 8, 11				
	Cooling	Air convection				
	Dimension (WxHxD)	56x125x100 mm		66x125x118 mm		86x125x123 mm
	Packing	0.9kg; 12pcs / 11.8kg / 1.32CUFT		1kg; 12pcs / 13kg / 1.32CUFT		1.45kg; 8pcs / 12kg / 1.05CUFT

Mechanical Drawings

Unit: mm [inch]



DN Series 20W~100W Industrial DIN Rail Switching Mode Power Supply

Features

- Universal AC input / Full range
- Installed on DIN rail TS35 / 7.5 or 15
- Protection: SCP, OLP, OVP
- High operation temperature up to 70°C
- True DC OK signal output
- Withstand 2G vibration test
- UL508 (industrial control equipment) listed
- UL1310 Class 2 power unit / LPS pass



MODEL	DN-20-12	DN-20-15	DN-20-24	
Output	DC Voltage	12V	15V	24V
	Rated Current	1.7A	1.4A	1A
	Rated Power	20.4W	21W	24W
	Ripple & Noise (Max.)	100mVp-p	100mVp-p	120mVp-p
	Voltage Adj. Range	10.8~13.2V	13.5~16.5V	21.6~26.4V
Input	Voltage Range	88~264VAC, 124~370VDC		
	Efficiency (Typ.)	83%	85%	86%
	Inrush Current (Typ.)	20A / 115VAC, 40A / 230VAC		

MODEL	DN-40-12	DN-40-15	DN-40-24	DN-40-48	
Output	DC Voltage	12V	15V	24V	48V
	Rated Current	3.4A	2.7A	1.7A	0.85A
	Rated Power	40.8W	40.5W	40.8W	40.8W
	Ripple & Noise (Max.)	100mVp-p	100mVp-p	120mVp-p	180mVp-p
	Voltage Adj. Range	10.8~13.2V	13.5~16.5V	21.6~26.4V	43.2~52.8V
Input	Voltage Range	88~264VAC, 124~370VDC			
	Efficiency (Typ.)	84%	84%	84%	85%
	Inrush Current (Typ.)	Cold start 30A / 115VAC, 60A / 230VAC			

MODEL	DN-60-12	DN-60-15	DN-60-24	DN-60-48	
Output	DC Voltage	12V	15V	24V	48V
	Rated Current	5A	4A	2.5A	1.25A
	Rated Power	60W			
	Ripple & Noise (Max.)	100mVp-p	100mVp-p	120mVp-p	180mVp-p
	Voltage Adj. Range	10.8~13.2V	13.5~16.5V	21.6~26.4V	43.2~52.8V
Input	Voltage Range	88~264VAC, 124~370VDC			
	Efficiency (Typ.)	86%	87%	87%	88%
	Inrush Current (Typ.)	Cold start 30A / 115VAC, 60A / 230VAC			

MODEL	DN-100-12	DN-100-15	DN-100-24	DN-100-48	
Output	DC Voltage	12V	15V	24V	48V
	Rated Current	7.5A	6.4A	4A	2A
	Rated Power	90W	100W	100W	100W
	Ripple & Noise (Max.)	180mVp-p	180mVp-p	180mVp-p	250mVp-p
	Voltage Adj. Range	10.8~13.2V	13.5~16.5V	21.6~26.4V	43.2~52.8V
Input	Voltage Range	88~264VAC, 124~370VDC			
	Efficiency (Typ.)	87%	87%	88%	87%
	Inrush Current (Typ.)	Cold start 30A / 115VAC, 60A / 230VAC			

MODEL	DN-20	DN-40	DN-60	DN-100	
Protection	Over Load	> 105% rated output power		> 102% rated output power	
	Over Voltage	115 ~ 150% rated output voltage. Protection type: Latch-off mode			
Environment	Working Temperature	-20°C ~ 70°C (Refer to de-rating curve)			
	Working Humidity	20 ~ 90% RH non-condensing			
	Storage Temp. & Humidity	-40°C ~ 85°C, 10 ~ 95% RH			
	Temperature Coefficient	± 0.03% / °C (0°C ~ 50°C)			
Safety & EMC	Vibration	10~500Hz, 2G 10 min. / 1 cycle, period for 60 min. each along X, Y, Z axes			
	Safety Standards	Certified UL 508; EN 60950-1; UL 1310 class 2 Power Supply			
	Withstand Voltage	I/P-O/P: 3KVAC (4242VDC), I/P-FG: 1.5KVAC (2121VDC), O/P-FG: 0.5KVAC (707VDC)			
	Isolation Resistance	I/P-O/P, I/P-FG, O/P-FG: 100M Ohms / 500VDC			
	EMI Conduction & Radiation	Certified EN 55022 class B; EN 61000-6-3			
	Power Harmonic & Voltage Fluctuation and Flicker	Certified EN 61000-3-2; EN 61000-3-3			
Other	EMS Immunity	Certified EN 61204-3; EN 55024; EN 61000-6-1; IEC 61000-4-2, 3, 4, 5, 6, 8, 11			
	Cooling	Air convection			
	Dimension (WxHxD)	23.0x90.0x99.0 mm	40.0x90.0x99.0 mm	55.0x90.0x99.0 mm	
Packing	0.16kg; 45pcs / 8.2kg / 0.6CUFT	0.29kg; 27pcs / 8.83kg / 0.6CUFT	0.4kg; 21pcs / 9.4kg / 0.6CUFT		

Mechanical Drawings

Unit: mm [inch]



Accessory

DV-RDM20 20A Redundant Module

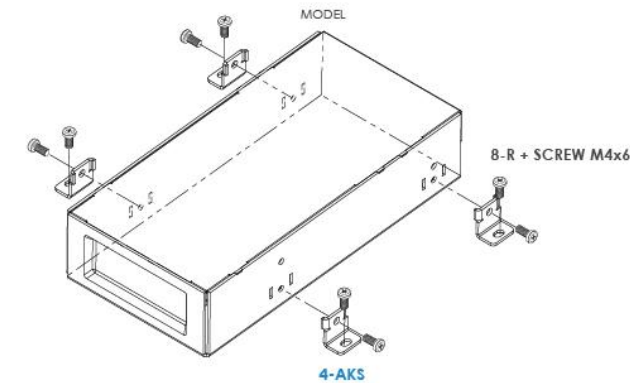
Features


- Universal AC input / Full range
- For 24V redundant operation
- Installed on DIN rail TS35 / 7.5 or 15
- Relay contact signal output and LED indicator for failure alarm



MODEL	DV-RDM20	
Output	Revers Voltage (Max.)	30V
	Output Current (Max.)	20A
	Voltage Drop	0.5V
	LED Indicators	2 Green LED
Input	Input Voltage Range	21~28V
	Number Of Inputs	2
	Input Current (Max.)	20A per input
Function	Input Voltage Alarm	< 20V (± 5%) or > 30V (± 5%) by relay
	Relay Contact Rating (Max.)	30VDC / 1A
Environment	Working Temperature	-20°C ~ 70°C
	Working Humidity	20~90% RH non-condensing
	Storage Temp. & Humidity	-40°C ~ 85°C, 10~95% RH
	Vibration	10~500Hz, 2G 10 min. / 1 cycle, period for 60 min. each along X, Y, Z axes; Mouning: Certified IEC 60068-2-6
Safety & EMC	Withstand Voltage	Terminal-Chassis: 0.5KVAC, relay contacts-terminal: 0.5KVAC
	Isolation Resistance	Terminal-Chassis: > 100M Ohms / 500VDC / 25°C / 70% RH
	EMI Conduction & Radiation	Certified EN 55022 class B; EN 61000-3-2, -3-3
	EMS Immunity	Certified IEC 61000-4-2, 3, 4, 5, 6, 8, 11; ENV 50204; EN 55024
Others	Dimension (WxHxD)	56x125x100 mm
	Packing	0.45kg; 20pcs / 11kg / 1.29CUFT
Note	All parameters NOT specially mentioned are measured at 24VDC input, rated load and 25°C of ambient temperature	

Mounting Accessories

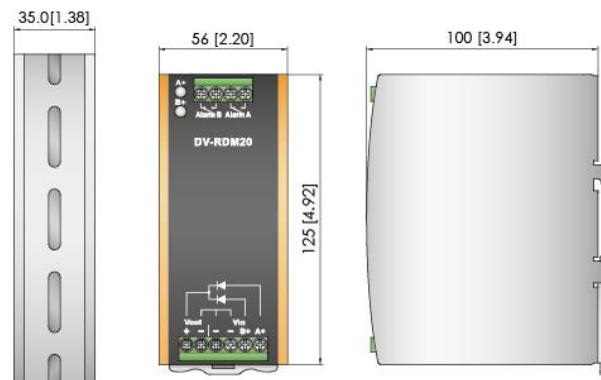


ITEM	Order No.	Model
	AKS	AK-450

Note: The specifications are subject to change without notice.

Mechanical Drawings

Unit: mm [inch]



DC / AC Inverter / Charger

COTEK is committed to providing proactive service, innovative technology and total quality assurance since we were established in 1986. COTEK is a technology-oriented company focusing on developing, designing and manufacturing products including:

DC/AC Pure Sine Wave inverter — 150 Watts ~ 4,000 Watts, Inverter Charger, Battery Charger, AC / DC Switching Mode Power Supply — 20 Watts ~ 3,000 Watts, and LED Driver. Please contact with our Sales representative to request for our new catalog, or visit our website: <http://www.cotek.com.tw>

Inverter

SP series

700~4,000W



- New generation pure sine wave inverter
- Higher efficiency, high power density
- Output AC voltage & frequency selectable
- Robust aluminum case

SD series

1,500W / 2,500W / 3,500W



- Output parallelable pure sine wave inverter up to 10.5KW
- Support 1Φ3W / 3Φ4W
- Built-in AC(Grid) by-pass switch

SE series

200W / 350W / 400W



- Wide input range (SE200)
- Output frequency 50 / 60Hz selectable by DIP switch
- Output voltage & power saving mode selectable

S series

150~1,500W



- Capable of driving high reactive and capacitive loads

SR series

1,000W



- SR-1000T
- Standard 19" 1U Rackmount
 - User-friendly LCM module
 - Selectable on-line / off-line modes

1,600W



- SR-1600
- Module design hot-swappable, redundancy rack mount inverter
 - Parallelable module up to 32 pcs
 - Selectable DC Mode / AC Mode

Battery Charger

CX series



- Built-in Engine Start Battery (ESB) output
- 3-stage charging mode
- Green design (sleep mode): charging with low low audible noise

Inverter / Charger

SL Series

2,000W



- Low frequency inverter charger
- All in one with various operation mode: Charger, Inverter, Power sharing, Generator function
- 3 stage charging mode
- Built-in bypass switch

SC Series

1,000 / 2,000W



- High frequency inverter charger
- All in one with various operation mode: Charger, Inverter, Power sharing, Generator function
- 3 stage charging mode
- Built-in bypass switch



COTEK ELECTRONIC IND. CO., LTD

www.cotek.com.tw